

FIG.168 REAR INTER-AXLE PROPELLER SHAFT

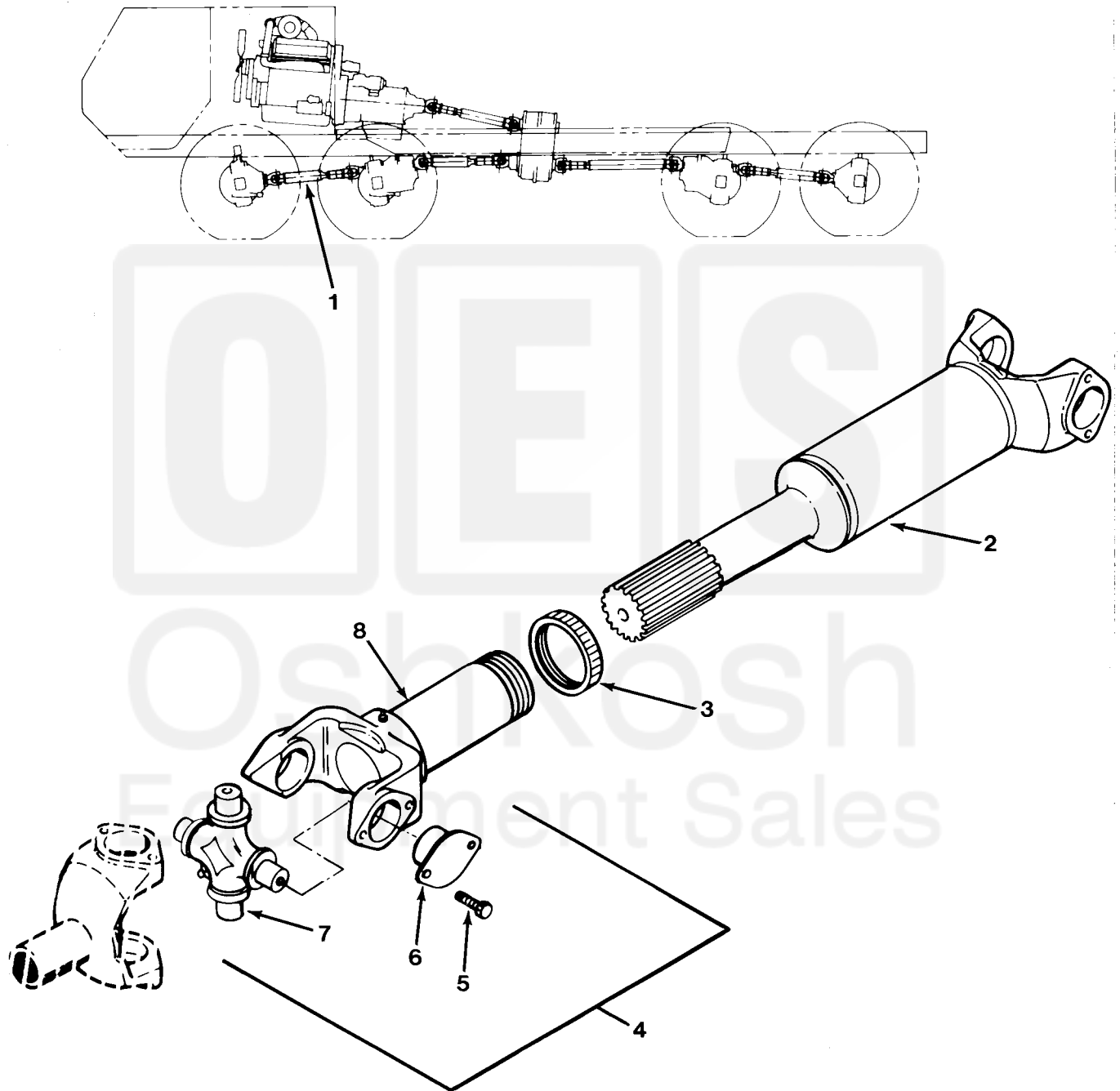


FIG.176 FRONT INTER-AXLE PROPELLER SHAFT